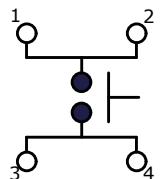


P.C.B LAYOUT

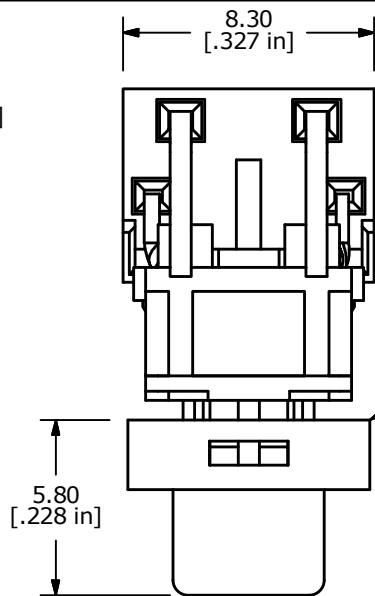


▲ CIRCUIT: SPST

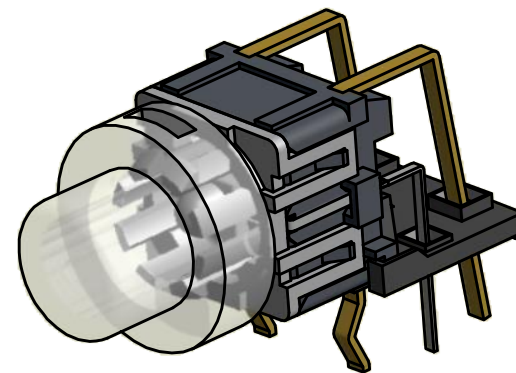
LED SPECS	UNITS	BLUE
FORWARD CURRENT	mA	20 NOMINAL
FORWARD VOLTAGE @20mA	V	3.3 TYP 4.0 MAX
LUMINOUS INTENSITY @ 20mA	mcd	1500 TYP.1650 MIN.

NOTES:

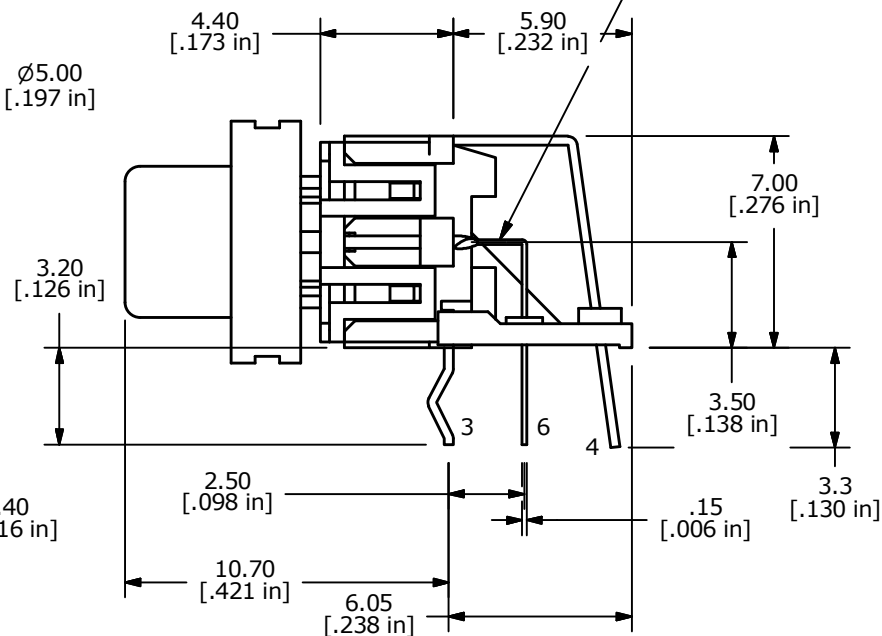
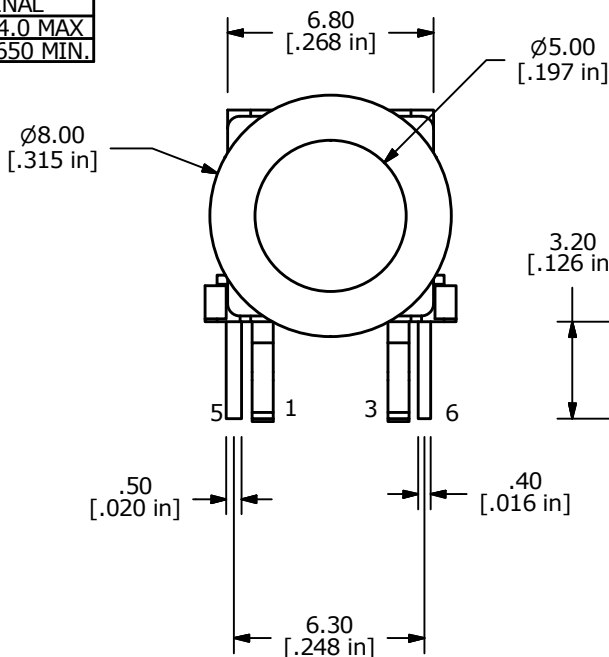
1. ALL DIMENSIONS IN MM [INCH]
2. GENERAL TOLERANCE: X.X=±0.4
X.XX=±0.25
3. RATING: 50mA @ 12VDC
4. CONTACT RESISTANCE: 100mΩ MAX.
5. INSULATION RESISTANCE: 100MΩ MIN.
6. OPERATING FORCE: 280 ± 70gf
7. TRAVEL: 0.2 ± 0.1mm
8. OPERATING TEMPERATURE: -20°C TO 70°C
9. OPERATING LIFE: 50,000 CYCLES
- ▲ 10. LED: BLUE
- ▲ 11. CONTACTS: SILVER.
12. ▲ DENOTES CRITICAL PARAMETERS
13. 2011/65/EU (ROHS) COMPLIANT
14. PARTS TO BE PACKAGED IN TRAYS,
100 PIECES PER TRAY.



▲ CAP MATERIAL TO BE CLEAR POLYCARBONATE



LED Z000009 MATTE TIN PLATED



C	23179	UPDATE NOTE ..TUBES,60 TO TRAYS,100	1/22/18	MJR
B	20505	Revise Led Spec/Add Note For Tin Plating	3/2/2012	MM
REV	PCR NO	DESCRIPTION	DATE	BY

TITLE TL1250F280BQRCLR				
SCALE	DATE	DR	DWG	REV
4:1	7/14/2009	BLR	P010821	C